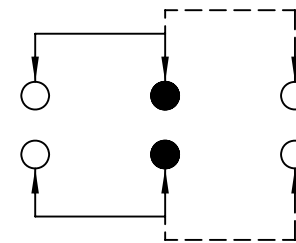
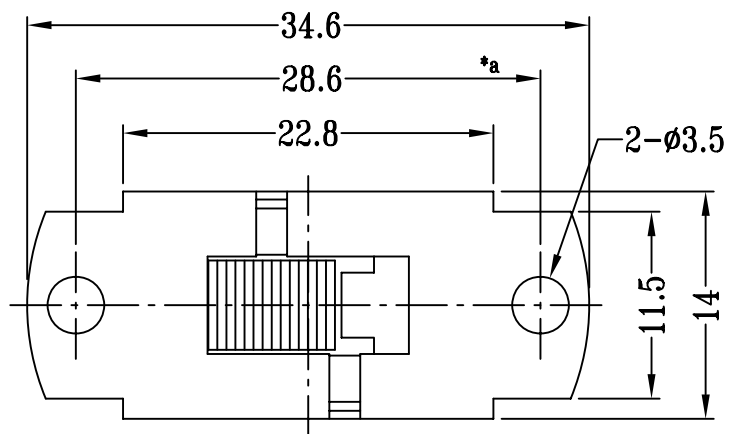
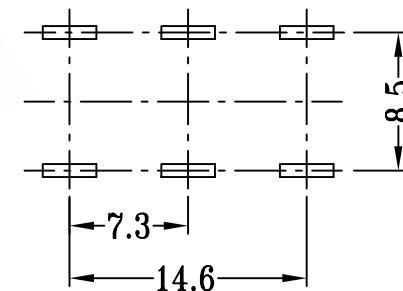
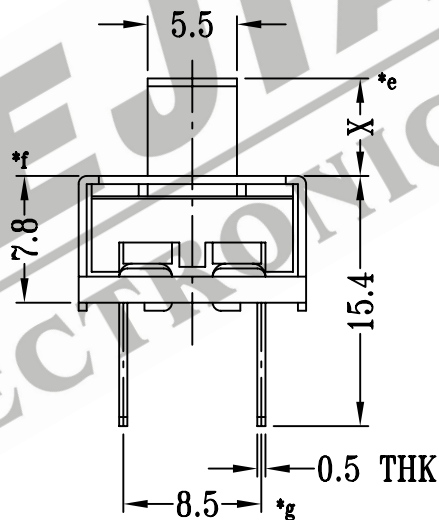
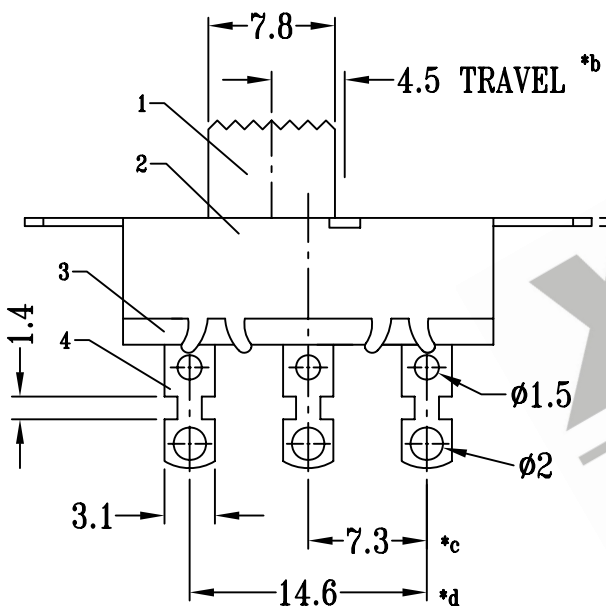


CAD FILE:



SCHEMATIC (NON-SHORTING)



P.C.B LAYOUT

注:带“*”表示关键尺寸(7个)

NO.	PART NAME	MATERIAL	QTY	FINISHING	TOLERANCE UNLESS SPECIFIED						
8					SHENZHEN XIEJIA ELECTRONICS CO.,LTD.						
7	SPRING PLATE	PBS STRIP	1	NATURAL							
6	SPRING PLATE	PBS STRIP	2	NATURAL	WITHIN: 1.5±0.1mm	A	26-JUL-2003				
5	CONTACT CLIP	COPPER STRIP	2	Ag PLATED	OVER : 1.5±0.2mm	ISSUE	DATE	DESCRIPTIONS			
4	TERMINAL	COPPER STRIP	6	Ag PLATED OVER Ni PLATED	TITLE: VERTICAL SLIDE SWITCH			UNIT : MM	DRWG NO.: XJ-DR-SS22I27-00		
3	BASE	PHENOLIC RESIN	1	BLACK	MODEL: SS-22I27			SCALE: 2:1	DWN	ZHOUYU	2005-12-10
2	FRAME	STEEL STRIP	1	Zn PLATED	ALL MATERIALS MUST BE COMPLIANT TO ROHS			CHK'D	FANGYING	2005-12-10	
1	KNOB	PC	1	BLACK				APPD	KANGXINAN	2005-12-10	